



**Precision Plumbing Products**  
*"Specify with Confidence - Install with Pride"*

**METAL OR PLASTIC LAUNDRY BOXES WITH WATER HAMMER ARRESTORS**

[www.pppinc.net](http://www.pppinc.net)

**Precision Plumbing Products** has designed a plastic/metal laundry box assembly that makes your installation simple and cost effective. Solenoid operated laundry equipment can create destructive water hammer due to quick closing valves on the fill cycle. Water hammer can damage or even break your hose connections as well as destroy the solenoid valve. To avoid this common household problem hook your washing machine hose connectors to the quarter turn ball valve in our laundry box assembly with water hammer arrestors and rest easy.



Plastic Laundry Box  
MM-500PLB



Metal Laundry Box  
MM-500MLB



**Precision Plumbing Products**

Division of JL Industries, Inc.

802 SE 199th Ave  
 Portland, Oregon 97233  
 T (503) 256-4010  
 F (503) 253-8165  
[www.pppinc.net](http://www.pppinc.net)



Made in the USA.  
 We do not export labor.





**Precision Plumbing Products**

*“Specify with Confidence - Install with Pride”*

**METAL OR PLASTIC LAUNDRY BOXES WITH WATER HAMMER ARRESTORS**

www.pppinc.net

**Project:** \_\_\_\_\_

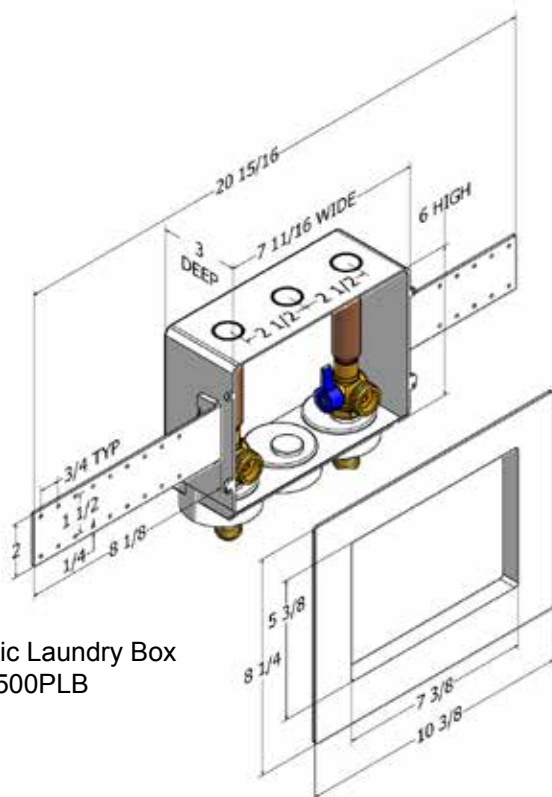
**Contractor:** \_\_\_\_\_

**Engineer:** \_\_\_\_\_

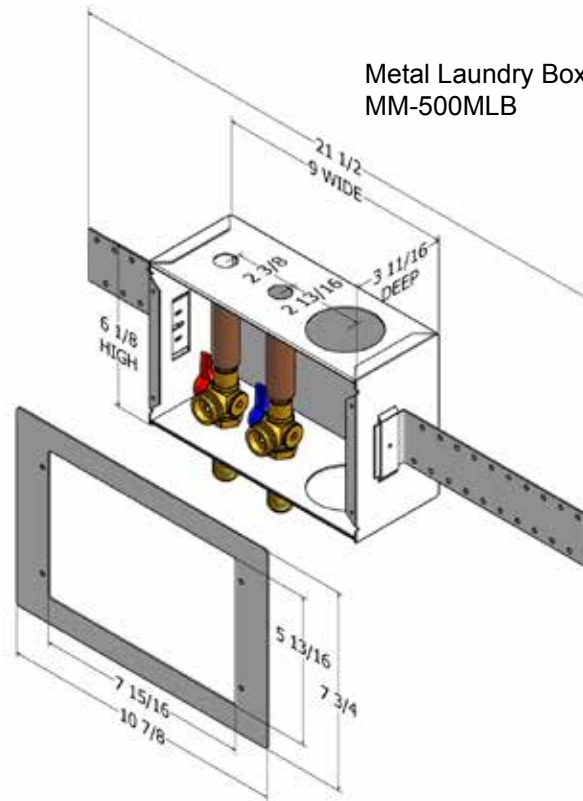
**Date Submitted:** \_\_\_\_\_

**Prepared By:** \_\_\_\_\_

Boxes are supplied with water hammer arrestors and quarter turn valves. Boxes include necessary mounting brackets and faceplate. Plastic boxes are molded from high impact polystyrene and include a 2” female outlet for drain connection. Metal boxes include a 2” rubber drain pipe coupling and are constructed of 20 gauge steel with a white powder coat. (Note: Box dimensions may vary slightly from drawings).



Plastic Laundry Box  
MM-500PLB



Metal Laundry Box  
MM-500MLB



**JL Industries, Inc.**

**Precision Plumbing Products**

Division of JL Industries, Inc.

802 SE 199th Ave  
Portland, Oregon 97233  
T (503) 256-4010  
F (503) 253-8165  
www.pppinc.net

