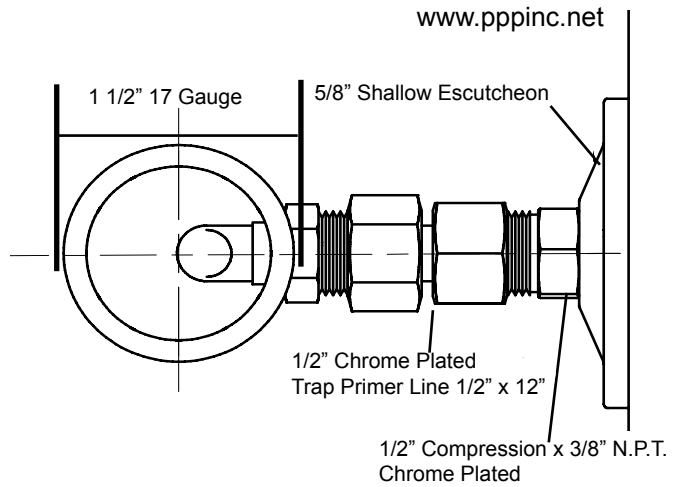
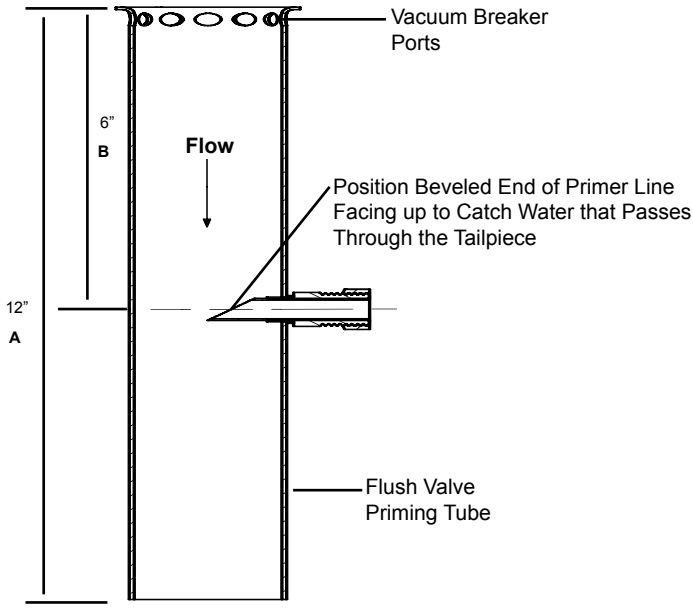




Precision Plumbing Products
"Specify with Confidence - Install with Pride"

FLUSH VALVE INSTALLATION/SUBMITTAL



www.pppinc.net

INSTALLATION - ROUGH-IN DIMENSIONS

Part No. FVP-1VB (w/vacuum breaker)

NOTE: A & B dimensions will vary depending upon flush valve head used.

NOTE: Flush Valve Primer is intended for use with water closets consuming 3.5 to 1.0 gal/flush.

NOTE: Priming Tube may be cut off to adjust for the rough-in of a fresh water make-up line to floor drain trap. Average discharge per flush at 50 PSI is 3.86 oz.

Not recommended for off-floor wall mount toilet installation.

Meets requirements of AB 1953.

PROJECT SUBMITTAL

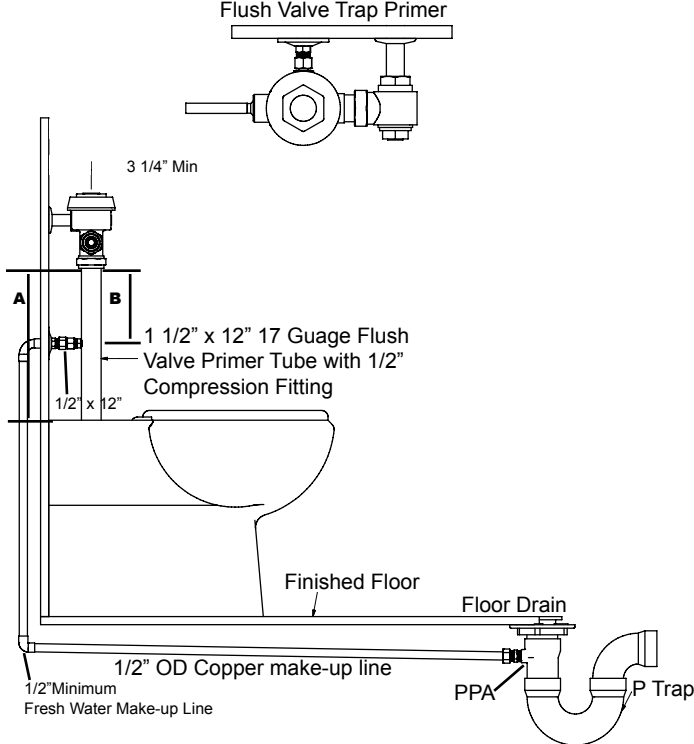
Project: _____

Contractor: _____

Engineer: _____

Date Submitted: _____

Prepared By: _____



JL Industries, Inc.

Precision Plumbing Products

Division of JL Industries, Inc.

802 SE 199th Ave
 Portland, Oregon 97233

T (503) 256-4010

F (503) 253-8165

www.pppinc.net

