



Precision Plumbing Products

"Specify with Confidence - Install with Pride"

**PRO-DRAIN TRAP SEAL™
SUBMITTAL**

www.pppinc.net

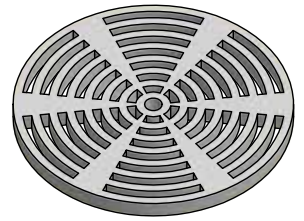
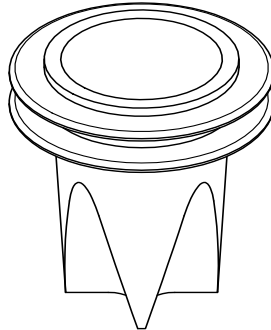
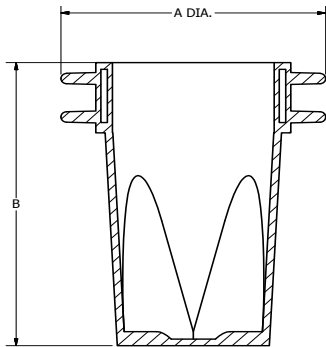
Application: The "Pro-Drain Trap Seal"™ is designed as a barrier to minimize trap seal evaporation from a floor drain trap. The trap seal device is designed to open and allow gray water flow to a floor drain and then remain closed in the absence of flow. This device is recommended for application in conjunction with a mechanical trap seal priming device. In the rare event that potable water is not present to replenish the floor drain trap seal then this device may be applied by its self to prevent floor drain trap seal evaporation.

The "Pro-Drain Trap Seal"™ device has been tested by an approved ASSE Test laboratory and passed the ASSE Standard #1072 successfully. This product is listed by both IAPMO File #7479 and ASSE 1072, Sections I, II. Copies of listing certificates are available upon requests.



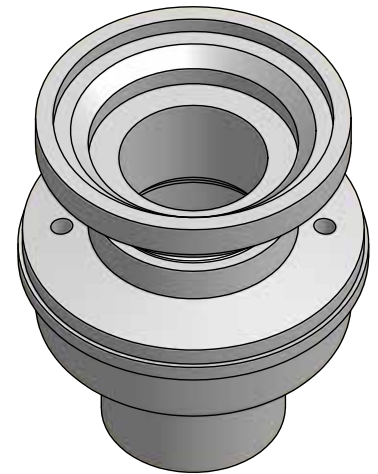
INSTALLATION/SUBMITTAL REQUIREMENTS

MECHANICAL DIAGRAM DRAWING



PART NUMBER	A (PIPE SIZE)	B	GPM FLOW RATE
PDS-2000	02 (50)	2.66 (68)	12.0 (45.4 L/M)
PDS-3000	03 (75)	2.66 (68)	34.0 (128.7 L/M)
PDS-4000	04 (100)	2.66 (68)	73.0 (276.4 L/M)

INSTALLATION: The “Pro-Drain Trap Seal”™ installs in a floor drain outlet. Simply insert the device in to the drain outlet or throat of the drain or strainer until the top of the device is flush with the top of the drain outlet or the drain strainer throat.



PROJECT SUBMITTAL

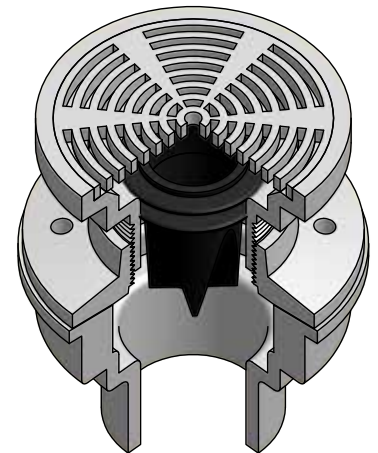
Project: _____

Contractor: _____

Engineer: _____

Date Submitted: _____

Prepared By: _____



Precision Plumbing Products

Division of JL Industries, Inc.

802 SE 199th Ave
Portland, Oregon 97233

T (503) 256-4010

F (503) 253-8165

www.pppinc.net



JL Industries, Inc.

