



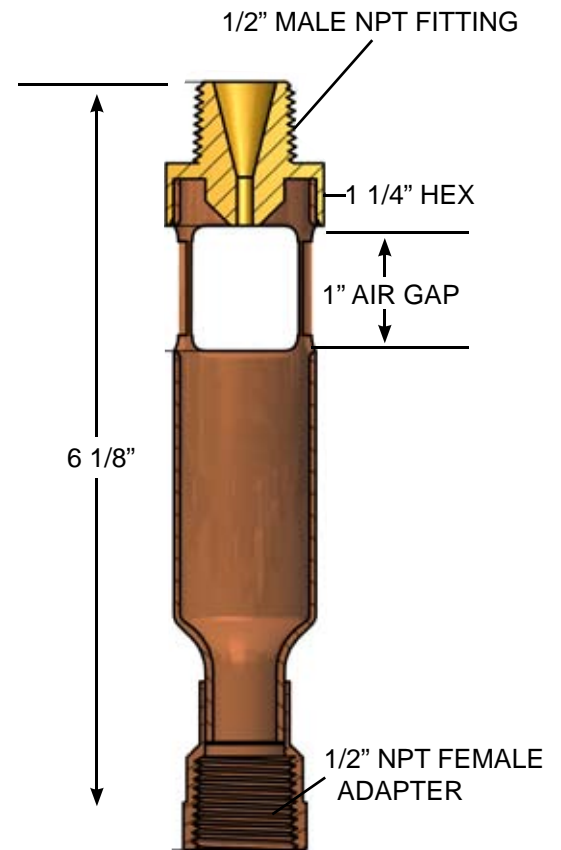
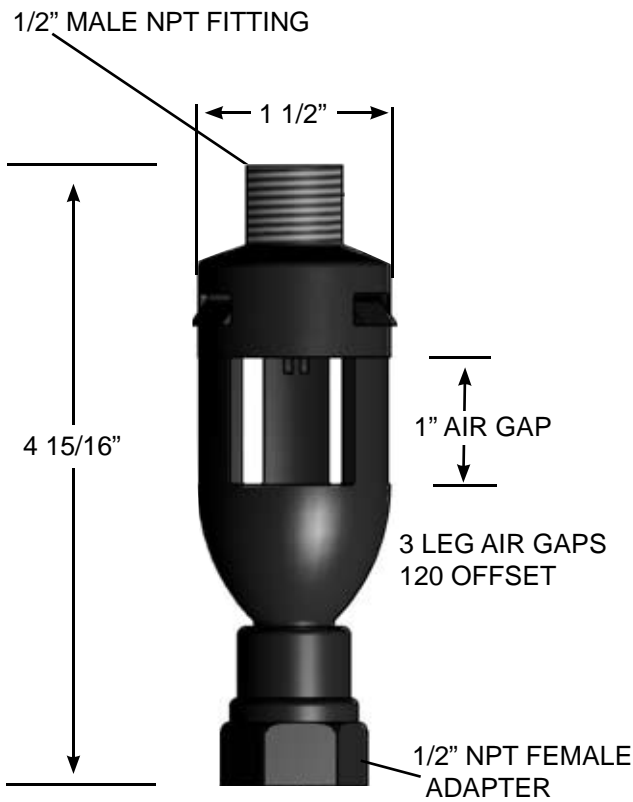
**Precision Plumbing Products**  
*"Specify with Confidence - Install with Pride"*

TRAP PRIMER  
 AIR GAP

www.pppinc.net

AG-500P FITTING  
 Composite

AG-500 FITTING  
 Copper



ASSEMBLED IN ACCORDANCE  
 WITH ANSI/ASME A112.1.2 AIR  
 GAP IN PLUMBING SYSTEMS  
 STANDARD.

THE AG-500/AG-500P FITTING CAN BE USED WITH:

PRIME-RITE	PR-500
P-1 PRIMER	P1-500
P-2 PRIMER	P2-500
DISTRIBUTION UNITS	DU-4, AND DU-U
PRIME-PRO	PRO1-500

Precision Plumbing Products

Division of JL industries, inc.

Airport Business Center  
 6807 NE 79th Court, Suite E  
 Portland, Oregon 97218

T (503) 256-4010  
 F (503) 253-8165

www.pppinc.net



JL industries, inc.

