

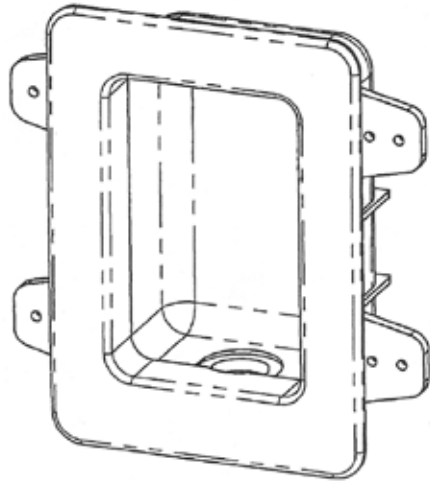


Precision Plumbing Products
"Specify with Confidence - Install with Pride"

LEAD FREE

FIRERATED ICEMAKER BOX INSTALLATION INSTRUCTIONS

www.pppinc.net



Read all instructions carefully before installing.

Included Parts

- | | |
|-------------------|----------------------|
| 1 Outlet Box | 1 Water Supply Valve |
| 1 Faceplate | 2 Valve Locknuts |
| 1 Intumescent Pad | 1 Instruction Sheet |

Installation:

1. Position the box against the stud at the desired height¹.
2. Use two nails or screws per bracket to secure the firerated Icemaker box to the front side of studs.
3. Connect the valves to the supply line.
4. When installing drywall², cut an 3-15/16" wide by 5-5/16" high opening to allow for the box. Any gap between the drywall and side of box must be filled with drywall compound.
5. Insert the faceplate into the box and press it flush with the drywall.

****Notes:**

1. Do not install two boxes back to back.
2. For a one or two hour fire rating, the Firerated Icemaker box must be installed in the corresponding Gypsum board. The wall cavity must have a minimum 3-1/2" cavity depth.
3. Store FireRated Icemaker Boxes in a cool, dry and protected place.
4. Assembly tested to ASTM E 814.
5. Product certified for both metal and wood studs.

Precision Plumbing Products

Division of JL Industries, Inc.



802 SE 199th Avenue
 Portland, Oregon 97233
 T (503) 256-4010
 F (503) 253-8165
 www.pppinc.net

