



**Precision Plumbing Products**  
*"Specify with Confidence - Install with Pride"*

**LEAD FREE**

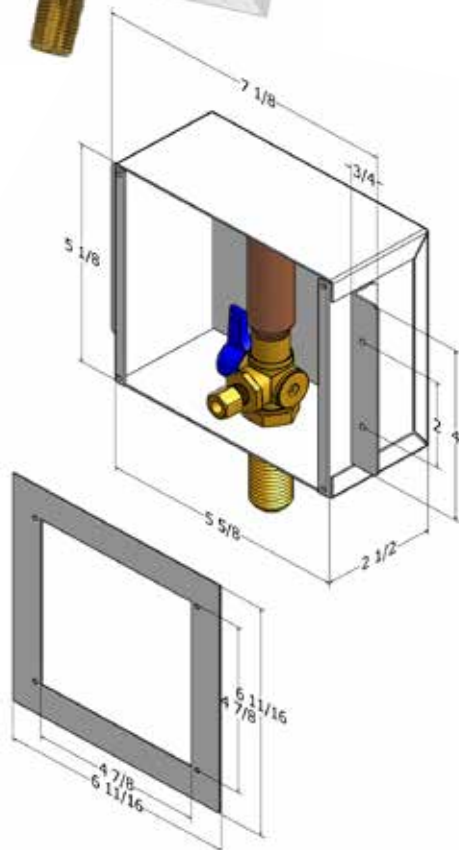
**METAL ICE MAKER BOX INSTALLATION**

www.pppinc.net

Boxes are supplied with a water hammer arrestor and shut off valve. Boxes include necessary mounting brackets and faceplate. Metal boxes are constructed of 20 gauge steel with a white powder coat. (Note: Box dimensions may vary slightly from drawings).



Metal Ice Maker Box  
MM-500MIMB



**INSTALLATION:**

- 1) Position box between studs to desired height.
- 2) Secure box to a backing board or to the front of studs. The front of the box should be flush with wall material.
- 3) Connect the cold water supply to the valve.
- 4) Install face plate by pushing plate into box until plate is flush against the wall material.



JL Industries, Inc.

**Precision Plumbing Products**

Division of JL Industries, Inc.

802 SE 199th Avenue  
Portland, Oregon 97233

T (503) 256-4010  
F (503) 253-8165

www.pppinc.net

