



Precision Plumbing Products

"Specify with Confidence - Install with Pride"

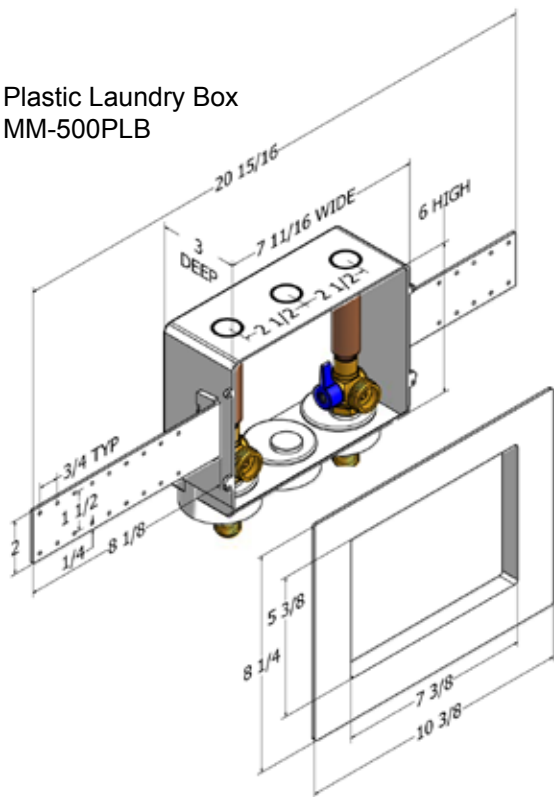
PLASTIC LAUNDRY BOXES WITH WATER HAMMER ARRESTORS

www.pppinc.net



Boxes are supplied with water hammer arrestors and quarter turn valves. Boxes include necessary mounting brackets and faceplate. Plastic boxes are molded from high impact polystyrene and include a 2" female outlet for drain connection. (Note: Box dimensions may vary slightly from drawings).

Plastic Laundry Box
MM-500PLB



INSTALLATION:

The Laundry Box is supplied with valves and water hammer arrestors. The plastic box has a 2" DWV female fitting where the drain pipe should be pushed through and solvent welded into the plastic tailpiece.

Position the box between studs to desired height. Nail or screw the mounting ears to the studs.

Slide the box out until the front side of the box will be flush with the first layer of sheetrock or fire board.

Tighten the mounting ears screws firmly. This must be done prior to sheetrock installation. Sheetrock thickness (3/8", 1/2", 5/8").

Install drain pipe.

Make plumbing connections to both the hot and cold valves.

USE CAUTION WHEN APPLYING HEAT DURING THE PLASTIC LAUNDRY BOX INSTALLATION.



JL Industries, Inc.

Precision Plumbing Products

Division of JL Industries, Inc.

802 SE 199th Ave
Portland, Oregon 97233
T (503) 256-4010
F (503) 253-8165
www.pppinc.net

