

# PRECISION PLUMBING PRODUCTS 2016 - LIST PRICE SCHEDULE



**ISO 14001:2004  
CERTIFIED**



**ISO 9001:2008  
CERTIFIED**

802 SE 199th Ave • Portland, Oregon 97233 • 503-256-4010

*"Specify with confidence – install with pride"®*

FAX # 503-253-8165

WEB SITE: [www.pppinc.net](http://www.pppinc.net)

Made in the U.S.A.

# PRESSURE DROP ACTIVATED TRAP PRIMER

## AUTOMATIC TRAP PRIMER VALVES (1/2" INLET/OUTLET) (PRESSURE DROP TYPE)

PART NUMBER	DESCRIPTION	LIST PRICE
PR-500NP	PRIME-RITE™ (NICKEL PLATED)	\$ 70.00
PR-500SS	PRIME-RITE™ (STAINLESS STEEL)	128.00
PR-500	PRIME-RITE™ PRIMER	65.00
P1-500	P-1 PRIMER™	71.00
P2-500	P-2 PRIMER™	67.00
PO-500	OREGON #1™ PRIMER	61.00
CPO-500	DUAL FLOW™ (COPPER)	69.00



For use on fresh water floor drain trap primer requirements. Automatically operates on 10 pound pressure drop. **Effective operating range 20 to 80 PSIG.**

Valves are installed on cold fresh water lines of 1 1/2" diameter or less. **ASSE and IAPMO Certified.**

# MANUALLY OPERATED TRAP PRIMER

## FLUSH VALVE PRIMER

PART NUMBER	DESCRIPTION	LIST PRICE
FVP-1VB	17 GA. PRIMING TUBE W/VACUUM BREAKER	\$ 100.00

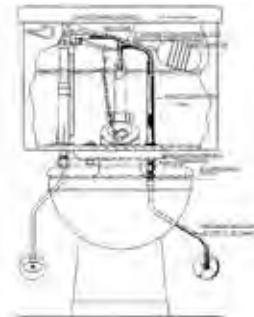
The Flush Valve Primer is for use in fresh water floor drain trap priming requirements. It will provide a fresh water prime each time the flushometer valve is activated. The unit comes complete with an integral vacuum breaker, a 1/2" x 12" chrome plated brass fresh water make-up line, and a 1/2" escutcheon 3/8" NPT x 1/2" Comp. **ASSE and IAPMO Certified.**



## WALKER CLOSET PRIMER™

PART NUMBER	DESCRIPTION	LIST PRICE
WCP-1	BALL COCK PRIMING ASSEMBLY	\$ 69.00

The Walker Closet Primer is designed for use in fresh water floor drain trap priming requirements. It will provide an automatic fresh water prime each time the flush valve is activated in a water closet, thus priming a single drain up to twenty (20) feet away. A 1/2" brass compression fitting is provided with each primer. **ASSE and IAPMO Certified.**



## TAIL PIECE TRAP PRIMER

PART NUMBER	DESCRIPTION	LIST PRICE
LTP-1500	P-Trap Primer	\$ 120.00

The Tail Piece Trap Primer utilizes the drain water in the p-trap from lavatories and similar fixtures to prime a floor drain in the immediate vicinity. As the fixture is being used, a small amount of water overflows into the make-up line, and gravity directs the over flow to the appropriate floor drain trap assuring that the trap seal is maintained. **ASSE and IAPMO Certified.**



# FLOW ACTIVATED TRAP PRIMER

## PRIME-PRO TRAP PRIMER

PART NUMBER	DESCRIPTION	LIST PRICE
PRO1-500	1/2" FIP LOW - LEAD BRASS TRAP PRIMER	LEAD FREE \$ 84.00
PRO1-ULP500	1/2" CHROME PLATE UNDER-LAV TRAP PRIMER ASSY	\$ 190.00

The Prime-Pro is activated when sensing potable water flowing at an adjacent plumbing fixture. This trap priming device must be installed on the cold water line leading to the plumbing fixture. Providing potable water to the trap seal is essential in preventing sewer gas escape and bacteria growth. The valve is activated at any flow rate at **20 PSIG ASSE and IAPMO Certified. Meets CA low lead requirements.**



# ELECTRONIC PRIMING REPLACEMENT PARTS

PART NUMBER	DESCRIPTION	LIST PRICE
TBX-3-24V	TIMER BOX ASSEMBLY	\$ 318.00
TBX-3-115V	TIMER BOX ASSEMBLY	318.00
TMR-ADJ	TIMER- Specify 24 Volt or 115 Volt	150.00
TMR-12V	TIMER- 12 VOLT	150.00
TMRSM-24V	TIMER- for Smart Prime 24 Volt	225.00
TMRSM-115V	TIMER- for Smart Prime 115 Volt	225.00
TMRSM-220V	TIMER- for Smart Prime 220 Volt	225.00
PTSV-1-115V	SOLENOID VALVE for Prime-Time PT and PTS	380.00
MPSV-1-12V	SOLENOID VALVE for Mini-Prime 12v	320.00
MPSV-1-24V	SOLENOID VALVE for Mini-Prime 24v	150.00
MPSV-1-115V	SOLENOID VALVE for Mini-Prime 115v	150.00
MSPAG-500	COPPER AIR GAP for Mini-Prime and Solo Prime	36.00
AG-500P-MPB	COMPOSITE AIR GAP for MPB	25.00
VAC-1	VACUUM BREAKER for Prime-Time PT and PTS	45.00
PB 12V	12V BATTERY PACK	115.00
MC500	1/2" MANIFOLD OUTLET CAP	4.25
MC625	5/8" MANIFOLD OUTLET CAP	4.40



# TRAP SEAL PROTECTION DEVICES

## PRO-DRAIN TRAP SEAL

PART NUMBER	DESCRIPTION	LIST PRICE
PDS-2000	2" FLOOR DRAIN	\$ 58.00
PDS-3000	3" FLOOR DRAIN	60.00
PDS-4000	4" FLOOR DRAIN	72.00



## TRAP PRIMER DISTRIBUTION UNITS

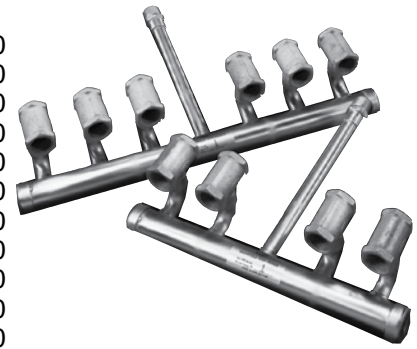
PART NUMBER	DESCRIPTION	LIST PRICE
DU-4	4 OPENING COPPER UNIT	\$ 49.00
DU-4-500	4 OPENING COPPER UNIT W/1/2" COMP. FITTING	65.00
DU-4-625	4 OPENING COPPER UNIT W/5/8" COMP. FITTING	72.00
DU-U	4 OPENING MOLDED UNIT	34.00
DU-U-500	4 OPENING MOLDED UNIT W/1/2" COMP. FITTING	37.00
DU-U-625	4 OPENING MOLDED UNIT W/5/8" COMP. FITTING	40.00
DU-1	CLEAR PLASTIC LID	5.15



When ordering distribution units the compression fitting size must be specified. 1/2" compression fittings for 3/8" ID or 5/8" compression fittings for 1/2" ID copper tube are supplied with each distribution unit. **IAPMO Certified.**

## FLUID DISTRIBUTION MANIFOLDS

PART NUMBER	DESCRIPTION	LIST PRICE
PM-2	2 OPENING MANIFOLD	\$ 81.00
PM-4	4 OPENING MANIFOLD	131.00
PM-6	6 OPENING MANIFOLD	181.00
PM-8	8 OPENING MANIFOLD	230.00
PM-10	10 OPENING MANIFOLD	280.00
PM-12	12 OPENING MANIFOLD	326.00
PM-14	14 OPENING MANIFOLD	376.00
PM-16	16 OPENING MANIFOLD	426.00
PM-18	18 OPENING MANIFOLD	475.00
PM-20	20 OPENING MANIFOLD	525.00
PM-22	22 OPENING MANIFOLD	575.00
PM-24	24 OPENING MANIFOLD	625.00
PM-26	26 OPENING MANIFOLD	674.00
PM-28	28 OPENING MANIFOLD	724.00
PM-30	30 OPENING MANIFOLD	774.00



Manifolds for fresh water distribution to multiple floor drain traps.

## AIR GAP FITTINGS

PART NUMBER	DESCRIPTION	LIST PRICE
AG-500	1/2" MPT x FPT, COPPER	\$ 36.00
RVAG-750CS	3/4" x 1 1/2" SWEAT	60.00
RVAG-750TH	3/4" MPT x 1 1/2" FPT	96.00



Prevent cross connections when installing relief valve assemblies discharging directly to drain receptors. For use with hot water heaters, water softeners, any appliance using potable water without backflow protection.

# ELECTRONIC FLOOR DRAIN TRAP PRIMERS

## MINI-PRIME™ (ELECTRONIC TRAP PRIMER)(1/2" NPT INLET)(USE WITH DISTRIBUTION UNITS)

PART NUMBER	DESCRIPTION	LIST PRICE
MP-500-12V	12 VOLT BATTERY OPERATED	\$ 780.00
MP-500-24V	24 VOLT	550.00
MP-500-115V	115 VOLT	550.00
MPB-500-12V	12 V BATTERY OPERATED W/NEMA 1 BOX	950.00
MPB-500-24V	24 VOLT W/NEMA 1 BOX	730.00
MPB-500-115V	115 VOLT W/NEMA 1 BOX	730.00

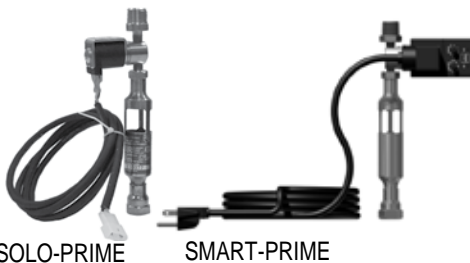
220 Volt 50Hz available upon request. Purchase distribution units separately. UL, ASSE and IAPMO Certified. Meets CA low lead requirements.



## SOLO-PRIME™ (ELECTRONIC TRAP PRIMER) (1/2" NPT INLET)(USE WITH DISTRIBUTION UNITS)

PART NUMBER	DESCRIPTION	LIST PRICE
SP-500-24V	24 VOLT	\$ 230.00
SP-500-115V	115 VOLT	\$ 230.00
SMP-500-24V	24 VOLT	\$ 340.00
SMP-500-115V	115 VOLT	\$ 340.00
SMP-500-220V	220 VOLT	\$ 340.00

Purchase distribution units separately. Primes 1 to 4 floor drains. Use access door D-814PC/SS or F-814PC/SS. IAPMO Certified. Meets CA low lead requirements.



## PRIME-TIME™ ELECTRONIC TRAP PRIMER 115 VOLT (FLUSH MOUNT) (3/4" FNPT INLET & 1/2" OR 5/8" COMPRESSION OUTLET)

PART NUMBER	DESCRIPTION	LIST PRICE
<b>CABINET DIMENSION: MODEL PT-4 – PT-12</b>		
<b>ID WIDTH 14" X LENGTH 16" X DEPTH 3 3/8"</b>		
PT-4	4 OPENING MANIFOLD W/BOX	\$ 1,100.00
PT-6	6 OPENING MANIFOLD W/BOX	1,118.00
PT-8	8 OPENING MANIFOLD W/BOX	1,150.00
PT-10	10 OPENING MANIFOLD W/BOX	1,160.00
PT-12	12 OPENING MANIFOLD W/BOX	1,180.00

(D1416 Access Door Required. See page 8)

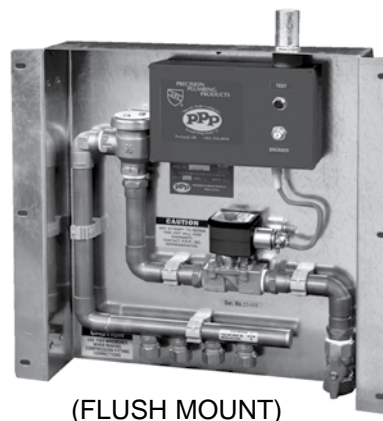
<b>CABINET DIMENSION: MODEL PT-1320</b>		
<b>ID WIDTH 20 1/2" X LENGTH 16 1/2" X DEPTH 3 3/8"</b>		
PT-1320	13 to 20 OPENING MANIFOLD W/BOX	\$ 1,380.00

(D1620 Access Door Required. See page 8)

<b>CABINET DIMENSION: MODEL PT-2130</b>		
<b>ID WIDTH 30 1/2" X LENGTH 20 1/2" X DEPTH 3 3/8"</b>		
PT-2130	21 to 30 OPENING MANIFOLD W/BOX	\$ 1,500.00

(D2030 Access Door Required. See page 8)

An electrically operated solenoid priming manifold with 1/2" or 5/8" compression outlet. An adjustable timer releases fresh water once every 24 hours to maintain floor drain trap seal. **NOTE: ADD 10% SURCHARGE FOR FIRE RATED ENCLOSURE.** UL, ASSE and IAPMO Certified. 220 Volt, 50Hz available at additional cost.



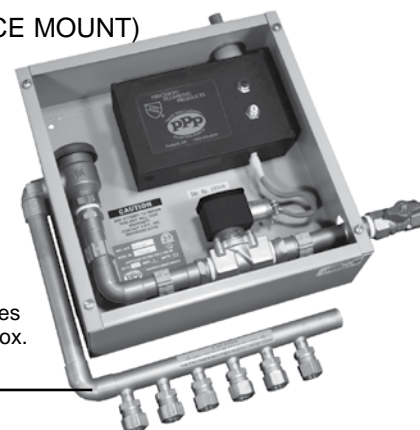
(FLUSH MOUNT)

## PRIME-TIME™ ELECTRONIC TRAP PRIMER 115 VOLT (SURFACE MOUNT) (3/4" FNPT INLET & 1/2" OR 5/8" COMPRESSION OUTLET) (NEMA TYPE 1 CABINET)

PART NUMBER	DESCRIPTION	LIST PRICE
PTS-4	4 OPENING MANIFOLD W/BOX	\$ 1,130.00
PTS-6	6 OPENING MANIFOLD W/BOX	1,145.00
PTS-8	8 OPENING MANIFOLD W/BOX	1,180.00
PTS-10	10 OPENING MANIFOLD W/BOX	1,190.00
PTS-12	12 OPENING MANIFOLD W/BOX	1,210.00
PTS-1320	13 to 20 OPENING MANIFOLD W/BOX	1,350.00
PTS-2130	21 to 30 OPENING MANIFOLD W/BOX	1,420.00

An electrically operated solenoid priming manifold with 1/2" or 5/8" compression outlet. An adjustable timer releases fresh water once every 24 hours to maintain floor drain trap seal. Access cover included. 12" x 12" x 4" NEMA 1 Box. UL, ASSE, and IAPMO Listed. 220 Volt, 50Hz available at additional cost.

(SURFACE MOUNT)



# NOTES:

## PRECISION PLUMBING PRODUCTS

# MASTER CARTON QUANTITIES

PART NUMBER	MASTER CARTON QUANTITY	CARTON WEIGHT	CARTON CUBIC FT
SC-500	50	37 LBS.	0.39
SC-500A	50	18 LBS.	0.35
SC-750	50	42 LBS.	0.46
SC-750B	50	28 LBS.	0.35
SC-1000	25	40 LBS.	0.56
SWA-500	50	33 LBS.	0.46
SWA-500A	50	17 LBS.	0.35
SWA-750	50	39 LBS.	0.46
SWA-750B	50	26 LBS.	0.35
MM-500TH	100	27 LBS.	0.35
MM-500SWA	100	25 LBS.	0.35
MM-500L	50	40 LBS.	1.11
MM-500FPF	50	35 LBS.	0.35
MM-5001FCT	50	39 LBS.	0.35
MM-5002FCT	50	40 LBS.	0.35
MM-5003CPT	50	26 LBS.	0.35
P1-500	25	36 LBS.	0.19
P2-500	25	36 LBS.	0.19
PR-500	25	32 LBS.	0.19
PO-500	50	38 LBS.	1.88
PT-4	01	16 LBS.	1.62
PTS-4	01	17 LBS.	1.62
TRB-2	25	42 LBS.	0.39
DU-4	25	18 LBS.	0.56
DU-U	50	21 LBS.	1.62

## ISO 9001:2000 CERTIFIED



## PRECISION PLUMBING PRODUCTS

802 SE 199th Ave • Portland, Oregon 97233 • 503-256-4010

*"Specify with confidence – install with pride"®*

FAX # 503-253-8165

WEB SITE: [www.pppinc.net](http://www.pppinc.net)

Made in the U.S.A.