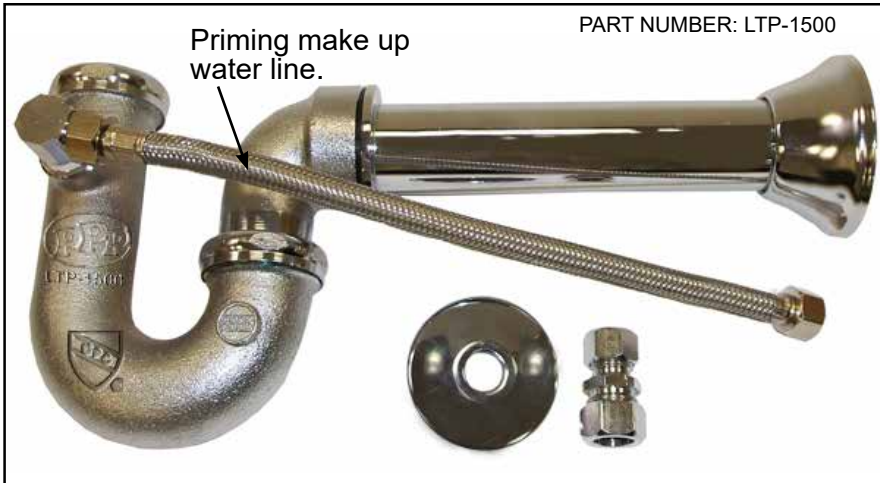




**Precision Plumbing Products**  
*"Specify with Confidence - Install with Pride"*

**TAIL PIECE  
 TRAP PRIMING ASSEMBLY**

www.pppinc.net



PART NUMBER: LTP-1500

**PROJECT SUBMITTAL**

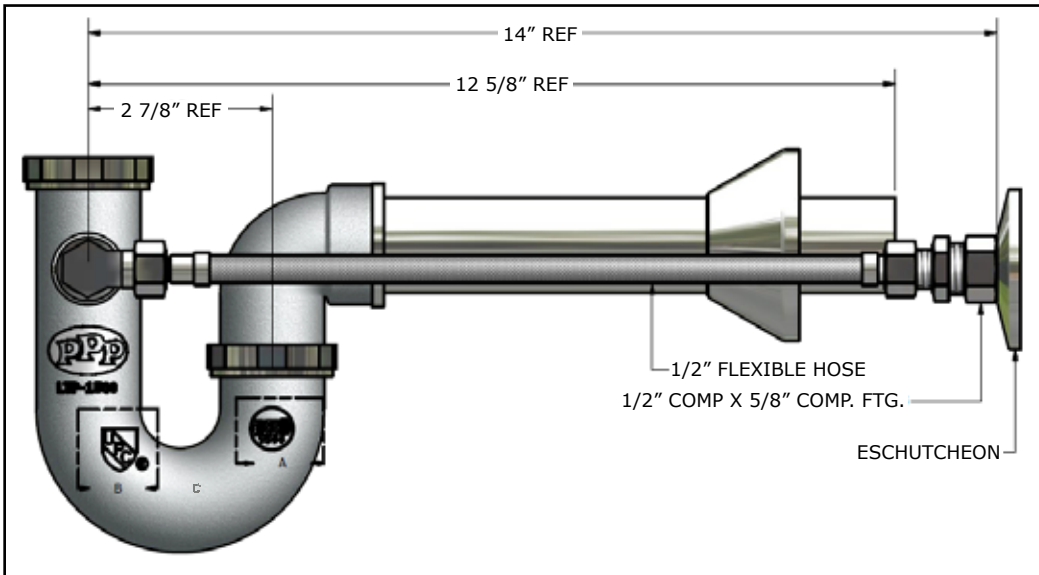
Project: \_\_\_\_\_

Contractor: \_\_\_\_\_

Engineer: \_\_\_\_\_

Date Submitted: \_\_\_\_\_

Prepared By: \_\_\_\_\_



The Precision Plumbing Products 1 1/2" Tail Piece floor drain trap priming assembly is provided with a braided 1/2" stainless steel flexible priming make up water line with 5/8" compression fitting, and chrome plated escutcheons for both the wall tube and make up water line. This under lav device will supply water directly to the floor drain trap when the lav is in use. A simple installation that will conserve potable water while still maintaining an adequate trap seal that will not allow sewer gas to escape inside the living or work space. Minimum discharge rate at 0.5 gpm is 2.5 oz. Minimum discharge rate at 2.5 gpm is 25.5 oz. This product has been tested and meets the requirements of ASSE Standard 1044

PART NUMBER: LTP-1500

**Precision Plumbing Products**

Division of JL Industries, Inc.  
 802 SE 199th Avenue  
 Portland, Oregon 97233

T (503) 256-4010

F (503) 253-8165

www.pppinc.net



JL Industries, Inc.



Rev 04/22